



- Type II PCCard
- Based on 16-bit PCMCIA Architecture
- DDCC Controller
- Programmable as Bus Controller or Remote Terminal or Monitor Terminal
- 64K words of Static RAM
- Single dual redundant MIL-STD-1553B channel
- Director Transformer Coupled
- Flexible RT Data Buffering with Circular Buffer
- 16 Bit Time Tag with 2 $\mu$ Sec Resolution
- Windows XP, Linux and RT-Linux driver support

## OVERVIEW

The AT-PCC-1553 card provides a flexible, single function, dual redundant MIL-STD-1553B interface to the PCCard socket. The card can be used with a laptop, notebook PC, a desktop PC, or any other device having PCCard interface. The AT-PCC-1553 is based on Type II PCCard architecture and offers Simulation, Monitoring functions. The card is integrated with powerful software that reduces development time. All data bus functionality is supported by our advanced API (Application Programming Interface).

## HARDWARE

The AT-PCC-1553 card comes with a single dual redundant MIL-STD-1553B channel. Configured with a controller from DDC, it provides 64K of Static RAM. Built around the 16-bit PCCard architecture, the card provides a rugged interface to mobile computers and devices. It operates at 5V thus saving battery life of the host PC. The card's single function architecture can emulate as a Bus Controller or 31 Remote Terminals or Monitor Terminal modes.

### Transformer and Direct Coupling

Suitable cables are to be used for either of the configurations. It is configured to work in the transformer-coupled mode by default.

## SOFTWARE

The AT-PCC-1553 software includes:

- > Bus Monitor
- > Drivers & APIs

### Bus Monitor

- Record and replay of data
- Replay with rate selection
- Message identifier
- Multi-console at a time
- Buside realtime analyzer
- Filtering option up to subaddress
- Message sampling option

### Drivers & APIs

The AT-PCC-1553 card comes with a powerful set of library functions to access the entire MIL-STD-1553B functionality. The drivers are designed in a modular fashion consisting of component functions and application functions. The user's test program can be developed with few calls to the driver by using the set of application functions provided. Driver and high-level API libraries for Windows XP, Linux and RT-Linux. Sample programs for BC, RT, MT modes are included.

# AT-PCC-1553

## MIL-STD-1553BPCCARD

### PRODUCT SPECIFICATIONS

#### MIL-STD-1553B Interface

- Type I PC Card
- 16-bit PCMCIA Architecture
- Programmable as Bus Controller or 31 Remote Terminals or Monitor Terminal
- 64K words internal memory
- Single dual redundant MIL-STD-1553B channel
- Message formats BC-RT, RT-BC, RT-RT, Broadcast, System Control
- Director Transformer coupled-Optional

#### Bus Controller

- 64K words of SRAM per channel for DDC controller
- Automatic retries on alternate Bus
- Inter Message Gap from 8µs to 65ms
- Frame auto repeat up to 5s
- Programmable response time out up to 130µs

#### Remote Terminal

- Programmable command illegalization
- Programmable Single Message or double buffering or circular buffering
- BUSY Bit programmable by sub-address
- Alphanumeric message ID

#### Monitor Terminal

- Word monitor
- Selective message monitor
- Dynamic data update
- Message Periodicity
- Bus error status
- Bus load
- Unique Message identifier
- Record and Replay option
- Message identifier

#### Software Support

- Driver and high-level API libraries for Windows XP, Linux and RT-Linux
- Sample applications provided

#### Physical

- Type I PC card
- Card dimensions - 54.0x85.6x5mm

#### Environmental

- Operating temperature: 0°C to +50°C
- Storage temperature: -20°C to +70°C

#### Power

- +5 VDC, 1A

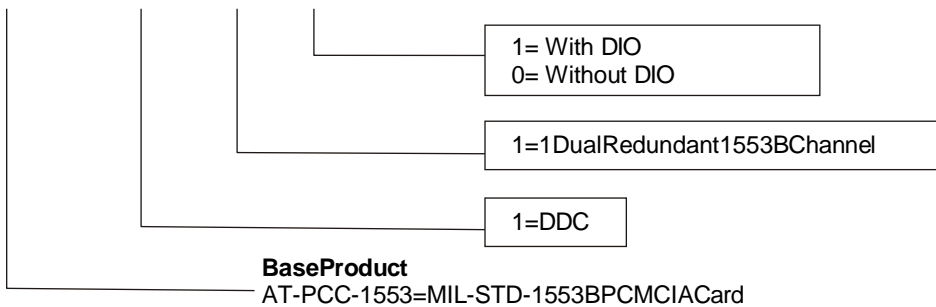
#### Warranty

- 1 year limited warranty

### ORDERING INFORMATION

#### Hardware Selection

AT-PCC-1553-Controller-Channels-DIO



- Contact sales for support for other Operating Systems
- Contact sales for configuration of front and rear I/O configuration
- Contact sales for environmental options



ADTEC Electronic Instruments Pvt Ltd  
 563/1, PRERANA TOWERS, Ranka Colony  
 Road, Off BG Road, Bengaluru 560076  
 Email : [sales@adtec.in](mailto:sales@adtec.in)  
 Website : [www.adtec.in](http://www.adtec.in)

Distributor/Reseller