

- compactPCI/PXIbus compatible
- 3Usize, singleslot
- DDCcontrollerbased
- ProgrammableasBusControllerorRemoteTerminal or Monitor Terminal
- Upto 4 Dual Redundant MIL-STD-1553B channels
- 31RemoteTerminalControl
- DirectorTransformerCoupled
- DriversupportforWindowsXP,Windows7andLinux
- RearI/Ooptionavailable

OVERVIEW

TheAT-cPCI-1553cardprovidesaflexible, Singlefunction, dualredundantMIL-STD-1553BinterfacetotheCPC/PXIbackplanes.It providesthehighestlevelofperformance&flexibilityforMIL-STD-1553BprotocolontheCPC/PXIbus.Thecardcomesintegrated with a powerful software that reduces application development time.All data bus functionality is supported by our advancedAPI (ApplicationProgrammingInterface).

HARDWARE

TheAT-cPCI-1553single function architecture can emulate as a Bus Controller or 31 RemoteTerminal or MonitorTerminal modes. Pollingandinterruptgenerationisalsoprovided.RearI/OconnectivityoptionviaJ2connectorcanbeprovidedonCPCbackplanes.If rearI/Oconnectorisusedinthecard,ithastobeusedinPXIbackplaneonly.Usershouldtakecaution.

TransformerandDirectCoupling

Thecardcanbeconfiguredtoworkeitherinthetransformer-coupledmodeorinthedirect-coupledmode.Ajumperisprovidedonthe cardtoselectthemode.Itisconfiguredtoworkinthetransformer-coupledmodebydefault.

SOFTWARE

TheAT-CPC-1553softwareincludes:

- > Drivers&APIs
- > BusMonitor

Drivers&APIs

ThecardcomeswithapowerfulsetoflibraryfunctionstoaccessentheentireMIL-STD-1553Bfunctionality.Thedriversaredesignedina modularfashionconsistingofcomponentfunctionsandapplicationfunctions.Theuser'stestprogramcanbedevelopedwithfewcalls tothedriverbyusingthesetofapplicationfunctionsprovided.Driverandhigh-levelAPIlibrariesforWindowsXP,Windows7and Linuxareavailable.LabVIEWsupportisalsoprovided.SampleprogramsforBC,RT,MTmodesareincluded.

BusMonitor

TheBusmonitorsoftwaremoduleenableseffectivemonitoringofdataflowonthe1553bus.Alleventstakingplaceonthe1553bus aredynamicallycaptured.Thisdatacanberecordedandreplayedenablingofflineanalysis.

- RecordandReplayof data
- Replaywithrateselection
- Messageidentifier
- Messagesamplingoption
- Dynamicdataupdatation
- BusloadAnalyzer
- BusIdealTimeAnalyzer
- Multiconsolateatotime
- Filteringoptionuptosubaddress

AT-cPCI-1553

MIL-STD-1553B compact PCICard

PRODUCT SPECIFICATIONS

MIL-STD-1553B Interface

- Programmable as Bus Controller or Remote Terminal or Monitor Terminal
- Up to 4 Dual Redundant MIL-STD-1553B channels
- 31 Remote Terminal Controls
- Message formats BC-RT, RT-BC, RT-RT, Broadcast, System Control
- Director Transformer coupled

Bus Controller

- 64K words of SRAM per channel for DDC controller
- Automatic retries on alternate bus
- Inter Message Gap from 8µs to 65ms
- Frame auto repeat up to 5s
- Programmable response time out up to 130µs

Remote Terminal

- Programmable command illegalization
- Programmable Single Message or double buffering or circular buffering
- BUSY Bit programmable by subaddress
- Alphanumeric message ID
- Output drive 1.2VA

Monitor Terminal

- Word monitor per word basis
- Selective message monitor & timestamping
- Dynamic data update
- Message Periodicity
- Bus error status
- Message identifier

Software Support

- Driver and high-level API libraries for Windows XP, Windows 7 and Linux
- Sample applications provided
- Labview drivers are available - Optionally

Physical

- Standard Compact PCICard size (160mm x 100mm)

Environmental

- Operating temperature: 0°C to +50°C
- Storage temperature: -20°C to +70°C

Power

- +5VDC
- Maximum Power Consumption < 20W

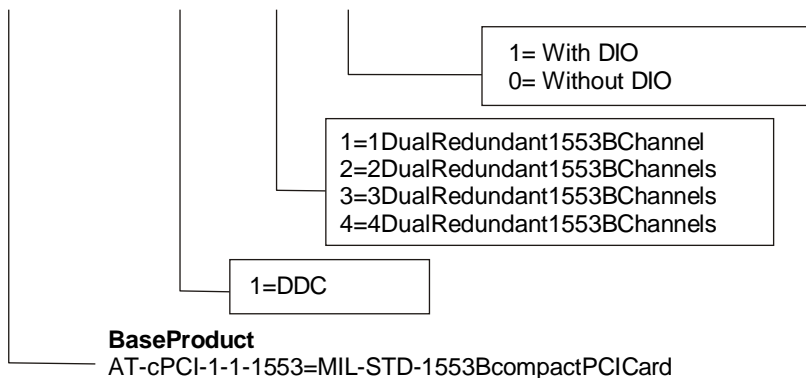
Warranty

- 1 year limited warranty

ORDERING INFORMATION

Hardware Selection

AT-cPCI-1-1-1553-Controller-Channels-DIO



- Contact sales for support for other Operating Systems
- Contact sales for configuration of front and rear I/O configuration
- Contact sales for environmental options



ADTEC Electronic Instruments Pvt Ltd
563/1, PRERANA TOWERS, Ranka Colony
Road, Off BG Road, Bengaluru 560076
Email : sales@adtec.in
Website : www.adtec.in

Distributor/Reseller